

## Commercial Gas Range With Under Oven

### PARAMETERS SHEET

MODEL#: GRFSO-24/36



MODEL # GRFSO-36

#### Choose GAS TYPE When Placing Order

- LPG  
Liquid Propane Gas
- NG  
Natural Gas

#### Capacity

**GRFSO-24**  
4 burners

**GRFSO-36**  
6 burners

#### Feature

- Full stainless steel body
- Cast Iron burner with power of 30,000BTU/H
- Cast iron grate
- **SABAF** thermostat gas valve for oven
- Oven temp range: 200°F -550°F
- Manual ignition
- Oven with enamel finishing easy to clean
- Adjustable leg
- With ETL and NSF approved

#### Standard Accessories

- Adjustable bullet leg
- Back slat with top holding shelf
- 2 pcs baking shelves/oven

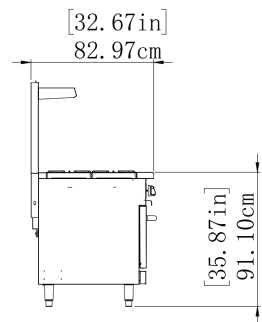
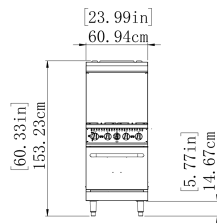
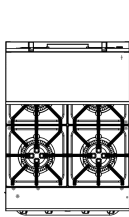
#### Optional Accessories

- Casters
- Pilot switch

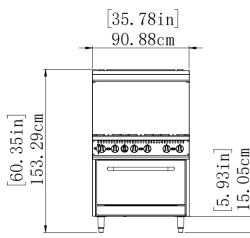
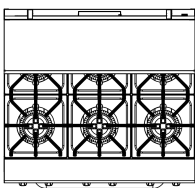
#### PRODUCT DIMENSION CHART

Model: GRFSO-24/36

**GRFSO-24**



**GRFSO-36**



Model	Product Dimension	Heat Power	Heating Burner	Gas Consumption	Gas inlet Connection	N.W	G.W	Packing dimension
GRFSO-24	24x32.67x60.33inch 610x827x1532mm	Burner:30,000 BTUx4 Oven:30,000 BTUx1	Burner: 4 Oven: 1	LPG: 1.699m3/h NG: 3.946m3/h	3/4" NPT Male	129kg	161.5kg	720X1010X890mm
GRFSO-36	36x32.67x60.33inch 915x827x1532mm	Burner:30,000 BTUx6 Oven:30,000 BTUx1	Burner: 6 Oven: 1	LPG: 2.3792m3/h NG:5.524m3/h	3/4" NPT Male	170kg	204kg	1010X1010X890mm

## Commercial 60" Gas Range with Oven

### PARAMETERS SHEET

MODEL#: GRFSO-60



#### Choose GAS TYPE When Placing Order

- LPG**  
Liquid Propane Gas
- NG**  
Natural Gas

#### Capacity

**GRFSO-60**  
10 burners and 2 ovens

MODEL # GRFSO-60

#### Feature

- Full stainless steel body
- Cast Iron burner with power of 30,000BTU/H
- Cast iron grate
- **SABAF** thermostat gas valve for oven
- Oven temp range: 200°F -550°F
- Manual ignition
- Oven with enamel finishing easy to clean
- Adjustable leg
- With ETL Certificate approved

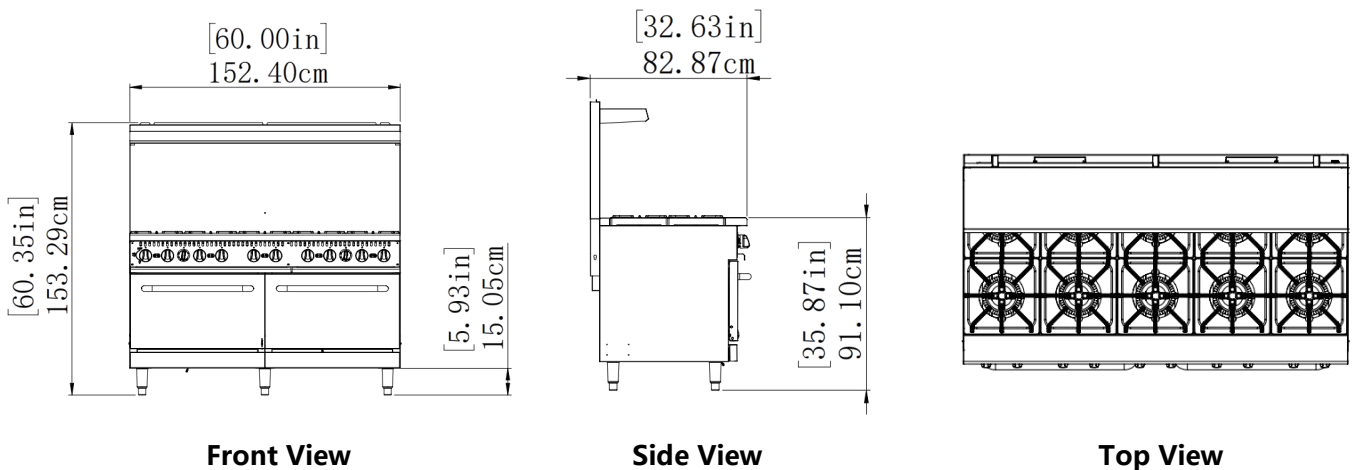
#### Standard Accessories

- Adjustable bullet leg
- Back slat with top holding shelf
- 2 pcs baking shelves/oven

#### Optional Accessories

- Casters
- Pilot switch

#### PRODUCT DIMENSION CHART Model: GRFSO-60



Model	Product Dimension	Heat Power	Heating Burner	Gas Consumption:	Gas inlet Connection	N.W	G.W	Packing dimension
GRFSO-60	60x32.67x60.33inch 1524x827x1532mm	Burner:30,000 BTUx10 Oven:30,000 BTUx2	Burner: 10 Oven: 2	LPG: 4.0787m3/h NG: 9.469m3/h	3/4" NPT Male	290.5kg	348kg	1650X1010X890mm